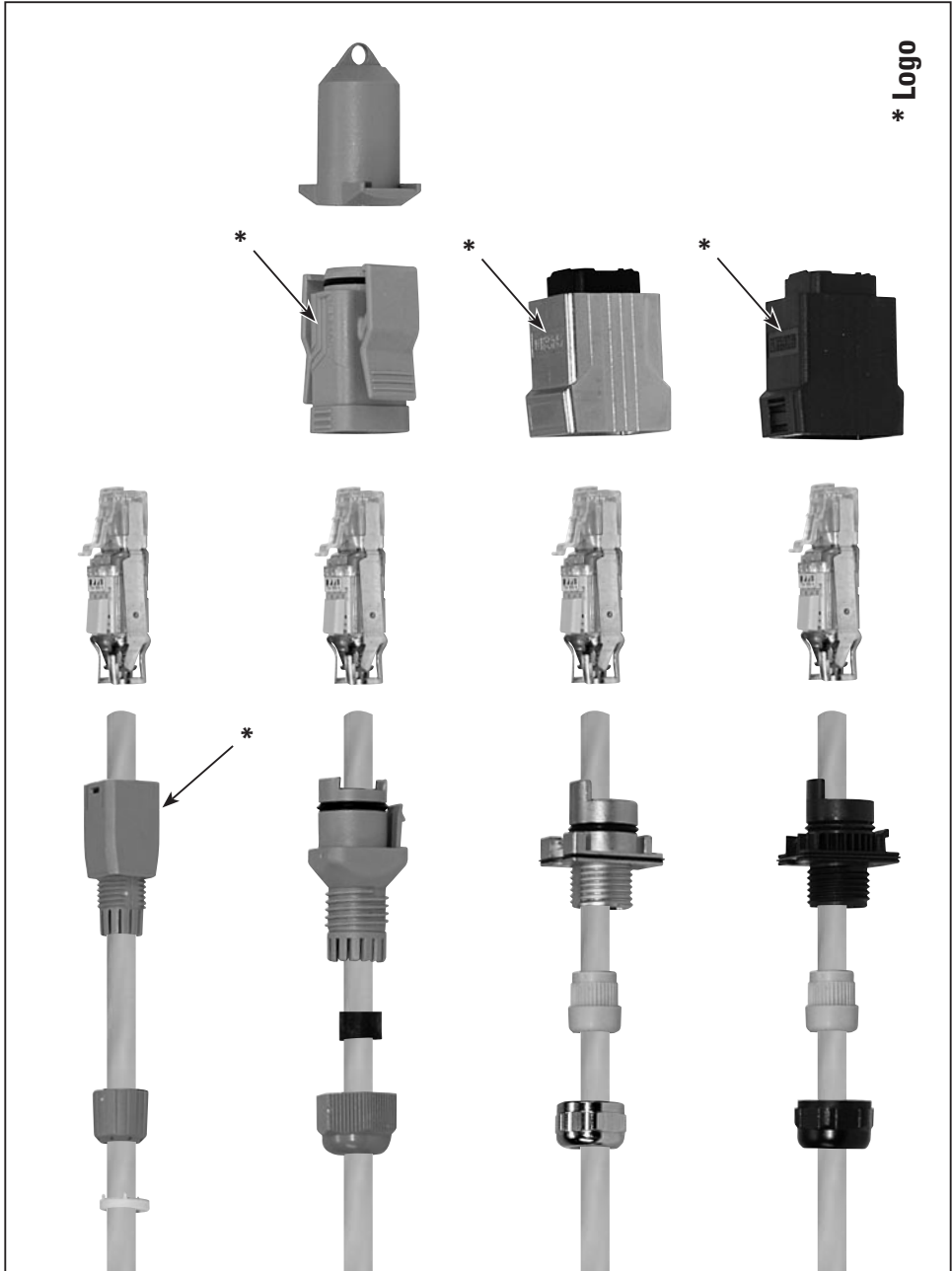
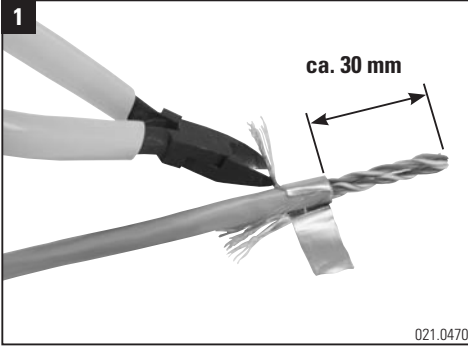


**Installationsanleitung FM45**  
**Installation guide FM45**  
**Instructions de montage FM45**



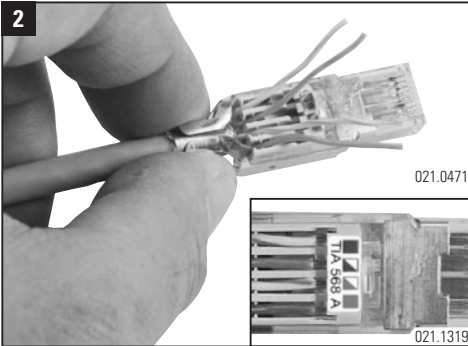


**Folienkabel / Foil only cables**  
**Kabel / Cable: U/FTP, F/UTP**

Metallband muss Kontakt zu allen Schirmelementen des Kabels, inkl. Erddraht herstellen

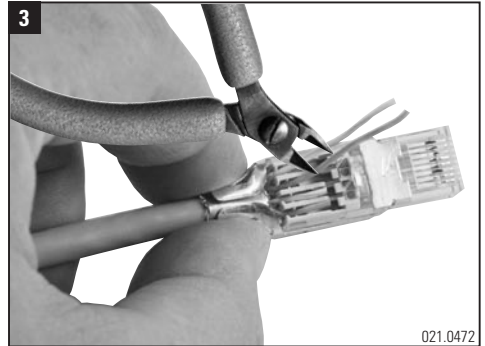
Metal tape must make contact to all cable screen elements incl. Drain wire

021.0470

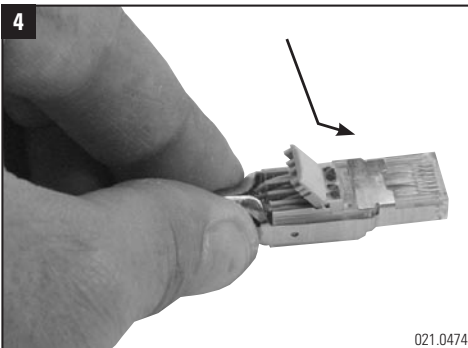


021.0471

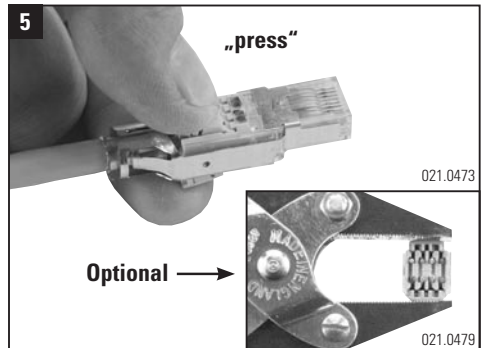
021.1319



021.0472



021.0474



021.0473

021.0479

Technische Daten	
Zulässiger Draht Ø:	AWG26 - AWG23
Zulässiger Litzen Ø:	AWG26 - AWG23
Zulässiger Isolations Ø:	maximal - 1.6 mm
Kabelmantel Ø:	4.5 - 8.0 mm

Technical Data	
Admissible Wire Ø:	AWG26 - AWG23
Admissible Flex Wire Ø:	AWG26 - AWG23
Admissible insulation Ø:	maximal - 1.6 mm
Cable Jacket Ø:	4.5 - 8.0 mm

**Headquarters**

**Switzerland**

Reichle & De-Massari AG

Binzstrasse 31

CHE-8620 Wetzikon

Telephone HQ

+41 (0)44 933 81 11

Telefax HQ

+41 (0)44 930 49 41

E-Mail

hq@rdm.com

[www.rdm.com](http://www.rdm.com)

